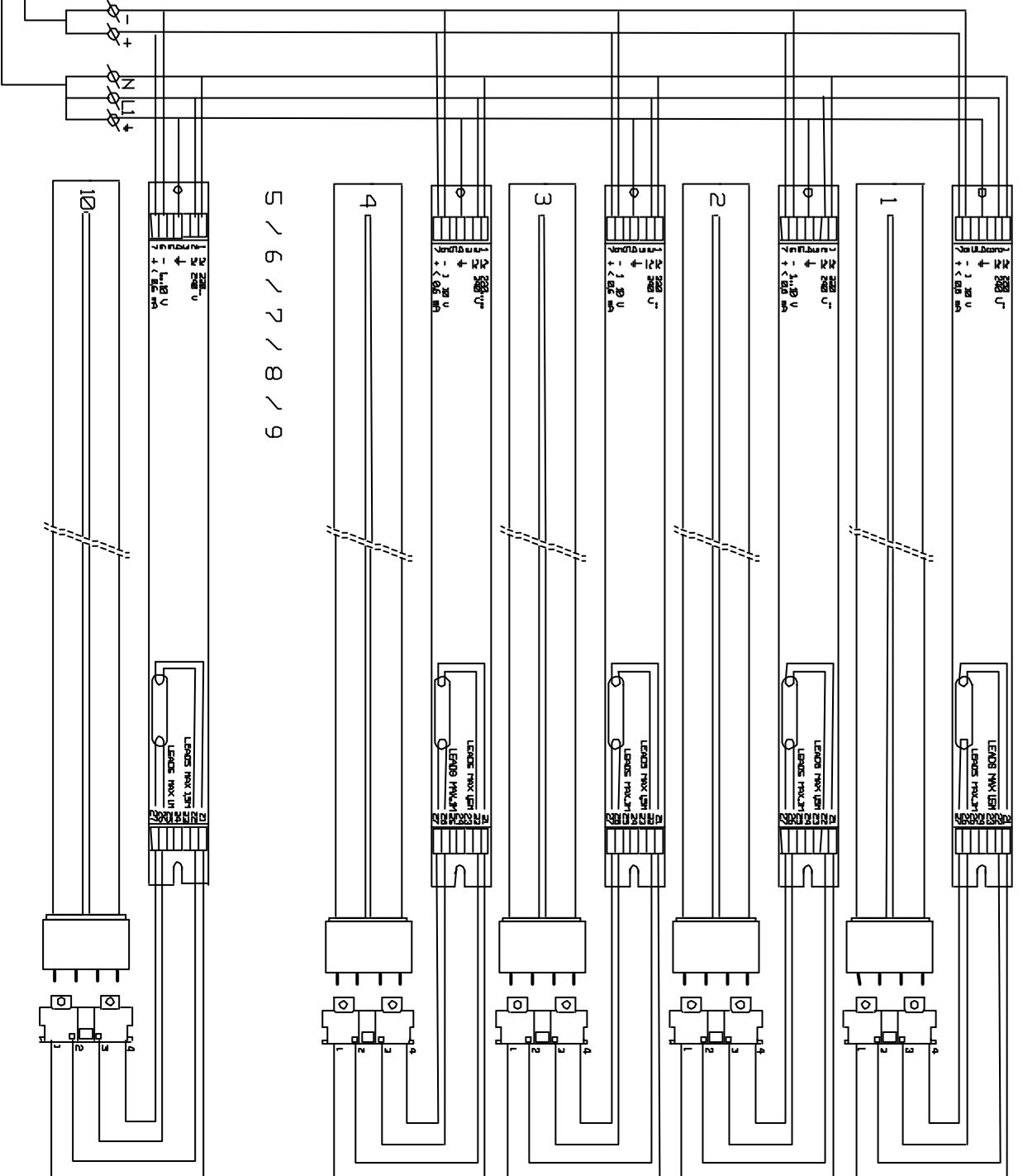
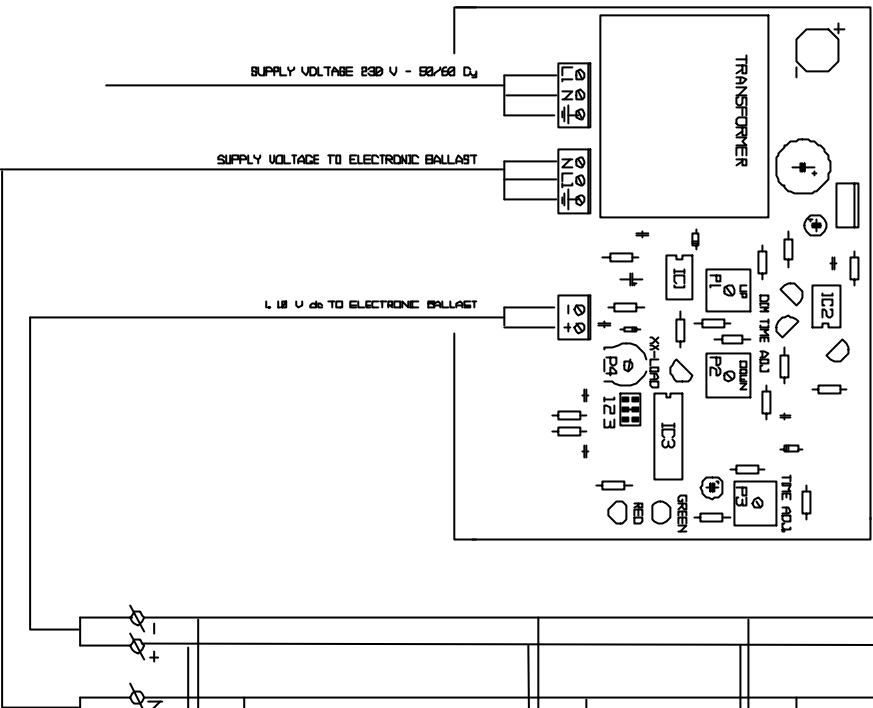


AUTOMATIC DIMMING UNIT FOR DIMMABLE BALLAST



5 / 6 / 7 / 8 / 9



vivaria projects

2e Jan Steenstraat 117, 1074 CN Amsterdam

The Netherlands

Tel.: +31 20 6764606 Fax: +31 20 6768079

E-mail: info@vivaria.nl

Customer	Drawn A Verbruggen	Revision Date	Title:	Project
P1	Date 05-03-2006	A	CONNECTION DULUX-L 80 W WITH DIMMABLE ELECTRONIC BALLAST IN PARALLEL CONNECTION TO AUTODIM	Equipm.
P2		B		Sheet
P3		C		Doc/Drawing nr
		D		